

Description:

415V Industrial Circuit Breaker Lockout

Specification:

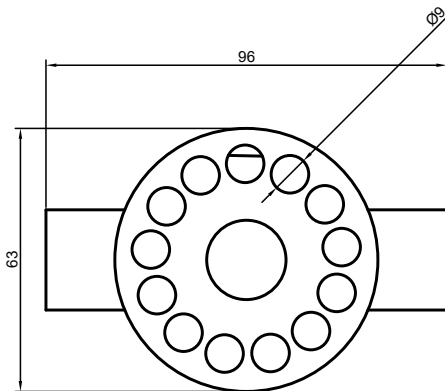
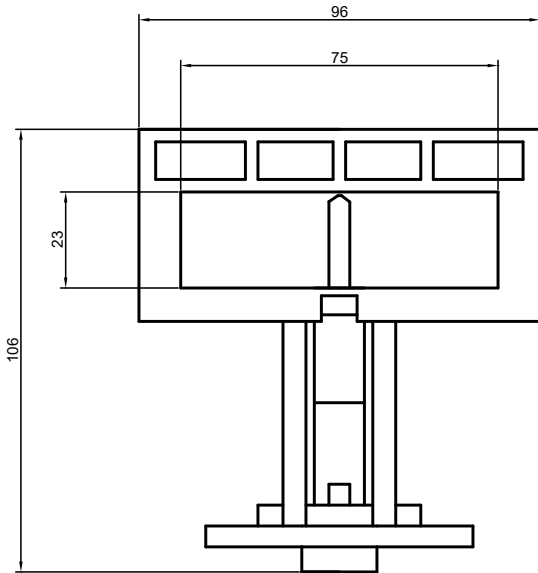
Body Material : PVC

Features & Applications:

Suitable for 3-phase circuit breakers used in an industrial environment

Accepts padlocks up to 9mm shackle diameter

Incorporates twist handle to accommodate up to 10 padlocks at the same time



Global Headquarters

North America & Canada

Total Lockout (Safety) Ltd
Unit 10 Warner Drive
Springwood Industrial Estate
Braintree, Essex, CM7 2YW
United Kingdom

Total Lockout (Safety) LLC
4500 140th Avenue North
Suite 117
Clearwater, FL 33762
United States of America

Tel: +44 (0)1376 325506
Fax: +44 (0)1376 347484
E-mail: sales@totallockout.com

Tel: (727) 608-4325
Fax: (727) 538 4237
E-mail: sales@totallockoutusa.com

The information provided in this document is for general guidance only. The specifications provided are from the manufacturers information. This document is not intended as a substitute for and is not to be used for determining the suitability or reliability of these products for specific user applications. It is the duty of any such user to perform the appropriate and complete risk analysis, evaluation and testing of the products with respect to the relevant specific application or use thereof. Total Lockout (Safety) Ltd shall not be responsible or liable for misuse of the information contained herein.