



Description:

415V Industrial Circuit Breaker Lockout

Specification:

Body Material : PVC

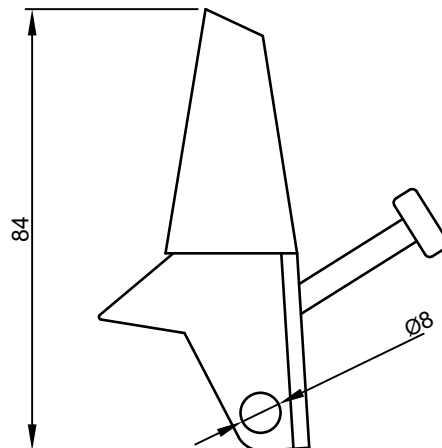
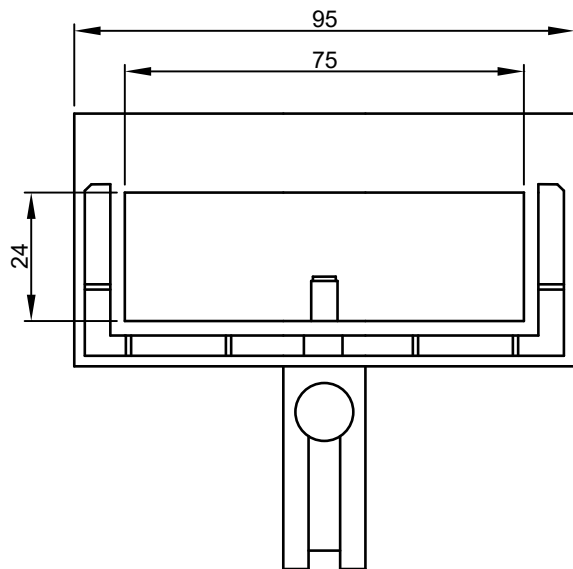
Features & Applications:

Suitable for circuit breakers with a lever of 76mm wide (3") and a lever width of 24mm (7/8")

Resistant to Corrosion

Easy installation

Widely suitable for 3-phase circuit breakers



Global Headquarters

North America & Canada

Total Lockout (Safety) Ltd
Unit 10 Warner Drive
Springwood Industrial Estate
Braintree, Essex, CM7 2YW
United Kingdom

Total Lockout (Safety) LLC
4500 140th Avenue North
Suite 117
Clearwater, FL 33762
United States of America

Tel: +44 (0)1376 325506
Fax: +44 (0)1376 347484
E-mail: sales@totallockout.com

Tel: (727) 608-4325
Fax: (727) 538 4237
E-mail: sales@totallockoutusa.com

The information provided in this document is for general guidance only. The specifications provided are from the manufacturers information. This document is not intended as a substitute for and is not to be used for determining the suitability or reliability of these products for specific user applications. It is the duty of any such user to perform the appropriate and complete risk analysis, evaluation and testing of the products with respect to the relevant specific application or use thereof. Total Lockout (Safety) Ltd shall not be responsible or liable for misuse of the information contained herein.