



Description:

Universal Circuit Breaker Lockout

Specification:

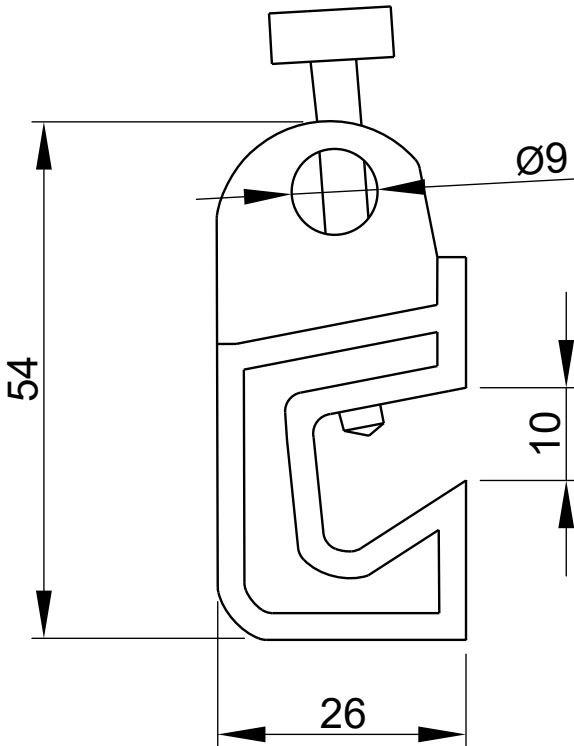
Body Material : Nylon

Features & Applications:

Locks of this type can be fixed quickly and easily without using any tools

The general-purpose design is suitable for various single-pole, double-pole and triple pole circuit breakers

Installed easily, there is no need to modify the panel or the circuit breaker



Global Headquarters

North America & Canada

Total Lockout (Safety) Ltd  
 Unit 10 Warner Drive  
 Springwood Industrial Estate  
 Braintree, Essex, CM7 2YW  
 United Kingdom

Total Lockout (Safety) LLC  
 4500 140th Avenue North  
 Suite 101  
 Clearwater, FL 33762  
 United States of America



Tel: +44 (0)1376 325506  
 Fax: +44 (0)1376 347484  
 E-mail: sales@totallockout.com

Tel: (727) 608-4325  
 Fax: (727) 538 4237  
 E-mail: sales@totallockoutusa.com

The information provided in this document is for general guidance only. The specifications provided are from the manufacturers information. This document is not intended as a substitute for and is not to be used for determining the suitability or reliability of these products for specific user applications. It is the duty of any such user to perform the appropriate and complete risk analysis, evaluation and testing of the products with respect to the relevant specific application or use thereof. Total Lockout (Safety) Ltd shall not be responsible or liable for misuse of the information contained herein.