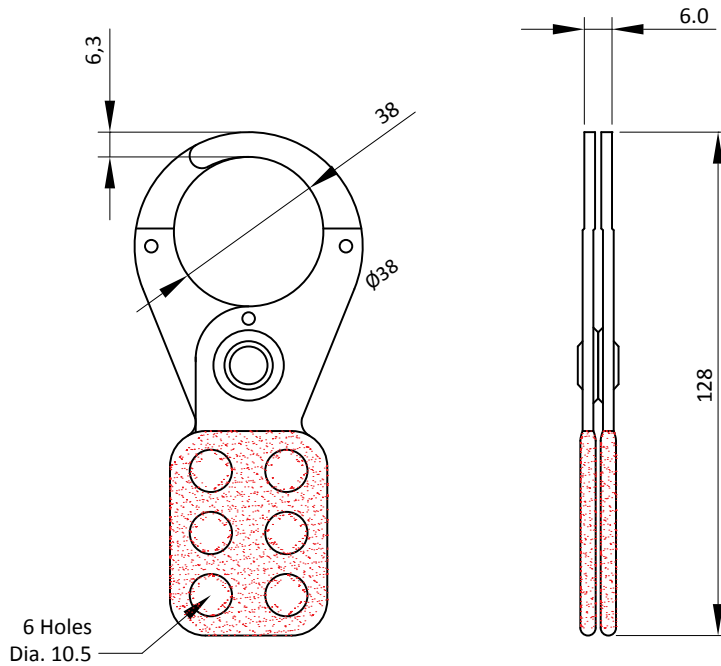




Technical Features:

Material:	Steel
Jaw Opening Size:	38mm (1-1/2")
Colour:	Red
Net Weight:	100g



The information provided in this document is for general guidance only. The specifications provided are from the manufacturers information. This document is not intended as a substitute for and is not to be used for determining the suitability or reliability of these products for specific user applications. It is the duty of any such user to perform the appropriate and complete risk analysis, evaluation and testing of the products with respect to the relevant specific application or use thereof. Total Lockout (Safety) Ltd shall not be responsible or liable for misuse of the information contained herein.



Global Headquarters

North America & Canada

Total Lockout (Safety) Ltd
 Unit 10 Warner Drive
 Springwood Industrial Estate
 Braintree, Essex, CM7 2YW
 United Kingdom

Total Lockout (Safety) LLC
 4600 140th Avenue North
 Suite 180
 Clearwater, FL 33762
 United States of America

Tel: +44 (0)1376 325506
 Fax: +44 (0)1376 347484
 E-mail: sales@totallockout.com

Tel: (727) 608-4325
 Fax: (727) 538 4237
 E-mail: sales@totallockoutusa.com

