



**Manufacturer:**

Total Lockout

**Description:**

Mitsubishi Circuit Protector Lockout Device

**Specification:**

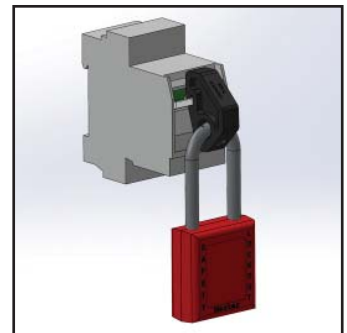
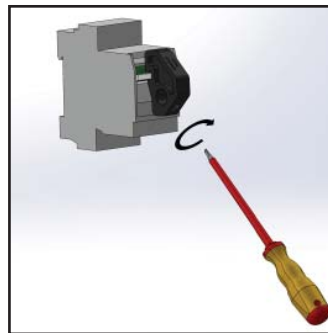
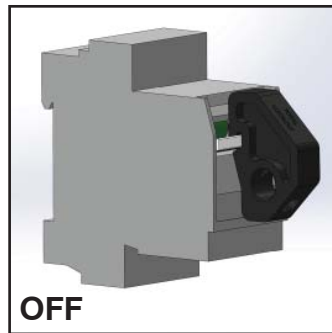
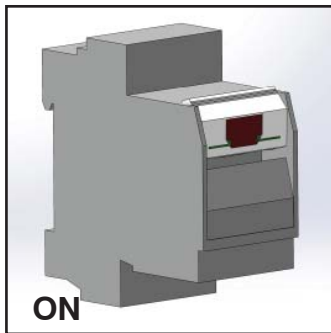
Body Material : Nylon (Sintered)

**Features & Applications:**

Designed to clip onto the Circuit Protector on/off toggle.  
Secured in place with a safety padlock (not included).  
Will fit all Mitsubishi CP30BA Circuit Protectors

Colour : Red

Supplied in a pack of 3 pcs  
Padlock not included



1. Switch the Circuit Protector to the OFF position

2. Engage the lockout device with the Circuit Protector toggle

3. Tighten the set screw

4. Apply a safety padlock



Global Headquarters

North America & Canada

Total Lockout (Safety) Ltd  
Unit 10 Warner Drive  
Springwood Industrial Estate  
Braintree, Essex, CM7 2YW  
United Kingdom

Total Lockout (Safety) LLC  
4600 140th Avenue North  
Suite 180  
Clearwater, FL 33762  
United States of America

Tel: +44 (0)1376 325506  
Fax: +44 (0)1376 347484  
E-mail: sales@totallockout.com

Tel: (727) 608-4325  
E-mail: sales@totallockoutusa.com