



Description:

Large Electrical Panel Handle Lockout

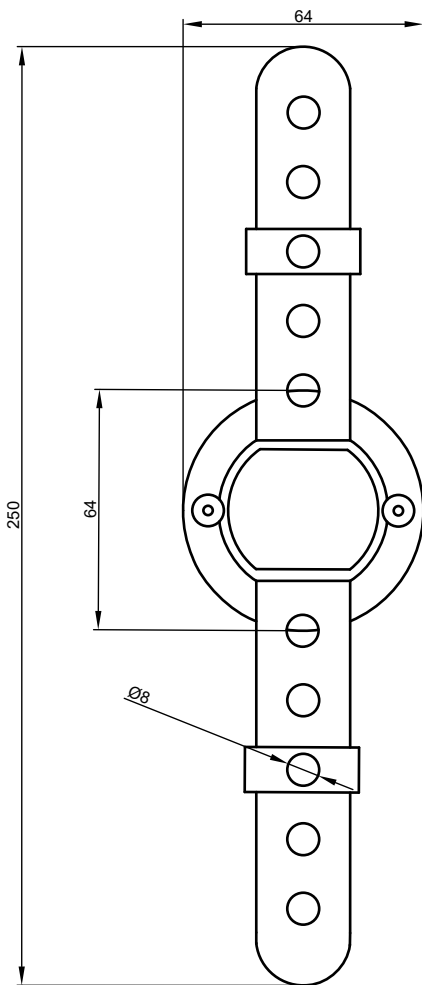
Specification:

Body Material : Nylon
 Diameter : 65mm
 Colour : Red & Yellow

Features & Applications:

Made up of a 13-hole strap and two clips; can be fixed around the handle on an electrical panel and be locked out in any position with a hasp and padlock to prevent the switch lever from being operated.

Can be locked out with padlocks up to 8mm shackle diameter



Global Headquarters

North America & Canada

Total Lockout (Safety) Ltd
 Unit 10 Warner Drive
 Springwood Industrial Estate
 Braintree, Essex, CM7 2YW
 United Kingdom

Total Lockout (Safety) LLC
 4500 140th Avenue North
 Suite 101
 Clearwater, FL 33762
 United States of America

Tel: +44 (0)1376 325506
 Fax: +44 (0)1376 347484
 E-mail: sales@totallockout.com

Tel: (727) 608-4325
 Fax: (727) 538 4237
 E-mail: sales@totallockoutusa.com

